

# SP4000

## HIGH LEVEL PALLETIZER

The SP4000 high level palletizer offers users a compact footprint and high performance. Standard features include a VFD-controlled pacer meter belt, bi-parting stripper apron and Columbia's state-of-the-art controls package. These features, combined with the ability to form "gaps" from side-to-side and front-to-back, make the SP4000 the most versatile palletizer available. Ideal for both retrofit and new applications, the SP4000 palletizes at up to 60 cases per minute depending on case size and pattern. Requiring no modification, the SP4000 can handle a wide variety of package types including cases, display packs, totes, trays, bundles, shrink film without pad, bales, plastic containers, crates, small cases and more.



### FEATURES

- Comprehensive Guard Package
- Category 3 Safety Electrical System
- Interlocked Access Doors to Load Build Area
- Full Height Light Curtains at Discharge
- Automatic Hoist Protection Pins
- Product Manager for Pattern Creation and Tuning
- Heavy Duty Sensor Mounts
- 4-Sided Pallet Stack Retention
- Stack Light / Beacon
- Smart Squeeze Technology for Misformed Layer Detection
- Fallen Case Detection
- Low Pallet Detection
- Low Sheet Detection
- Heavy Duty Construction
- 80 Pitch Hoist Chain
- Infeed Tunnel Guard
- UL Approved or CSA Certified Control Panel
- Ethernet Enabled PLC with Distributed I/O
- Online parts ordering at [www.palletizing.com](http://www.palletizing.com)
- 24-Hour parts and service hotline [1.800.628.4065](tel:1.800.628.4065)

To view a video of the SP4000 in operation and for more information on Columbia's complete line of palletizers, please visit [www.palletizing.com](http://www.palletizing.com) or call toll-free at [1.800.628.4065](tel:1.800.628.4065) / direct at [1.360.694.1501](tel:1.360.694.1501).

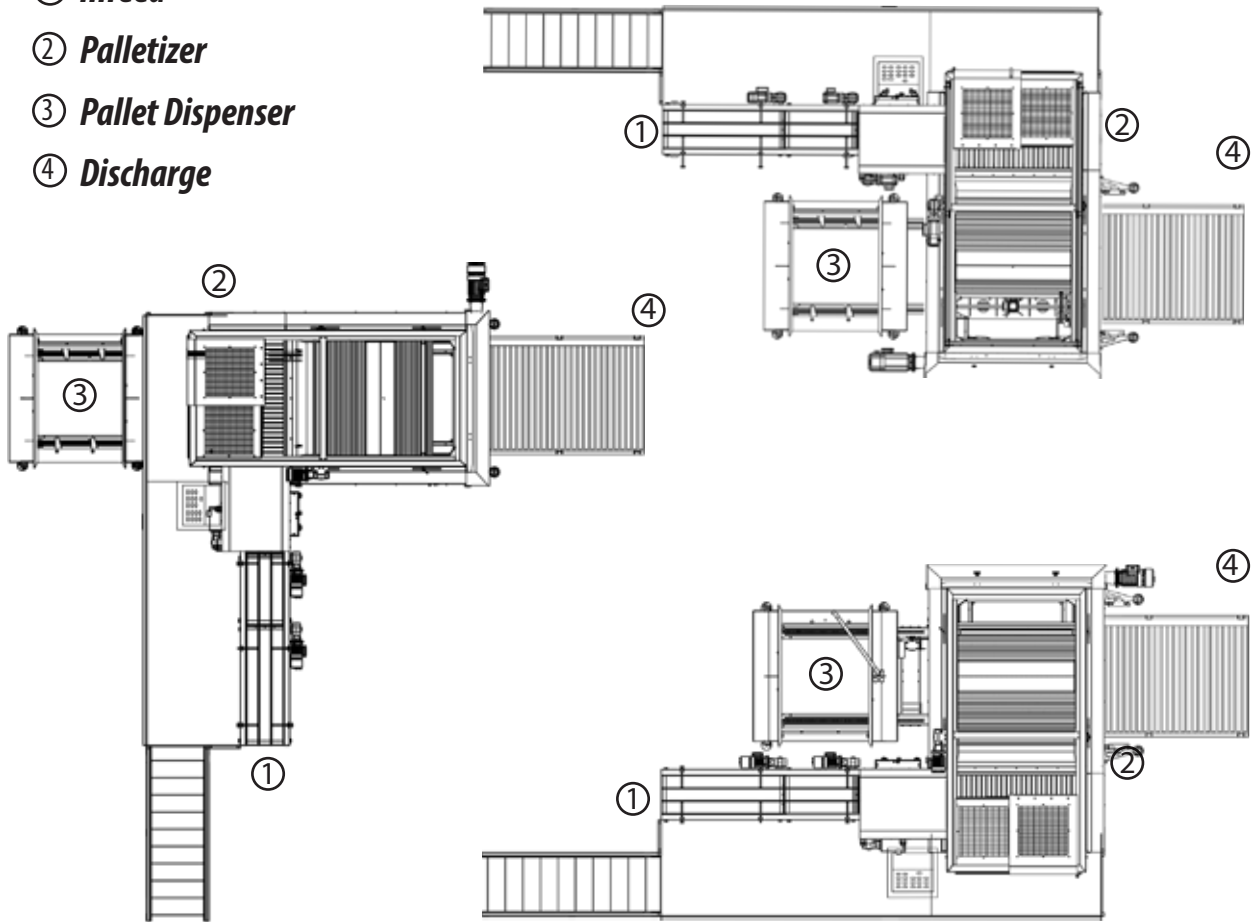
## COMMON PALLETIZER LAYOUTS

① **Infeed**

② **Palletizer**

③ **Pallet Dispenser**

④ **Discharge**



### OPTIONS

- Wireless controls interface
- Labels-out stacking
- Speed enhancement upgrades
- FDA accepted stainless steel paint
- Upstream and downstream conveyor and interfacing
- Discharge conveyor
- Slip / Tie / Cap sheet dispenser
- Unitizing
- Turnkey system integration
- Soft product handling
- Integrated work platform