

HL2200

HIGH LEVEL PALLETIZER

The HL2200 high level palletizer offers users a compact footprint and high performance. Standard features include a VFD controlled bi-parting layer apron and Columbia's state-of-the-art Product Manager controls package. These features, combined with the ability to form "layer gaps" side-to-side and front-to-back, make the HL2200 extremely flexible. Ideal for both retrofit and new applications, the HL2200 can handle a wide variety of package types, including cases, display packs, totes, trays, bundles, shrink film without pad, crates, small cases and more. When equipped with optional small case handling components, the HL2200 is ideally suited to palletize very tall and narrow product even with a high center of gravity.



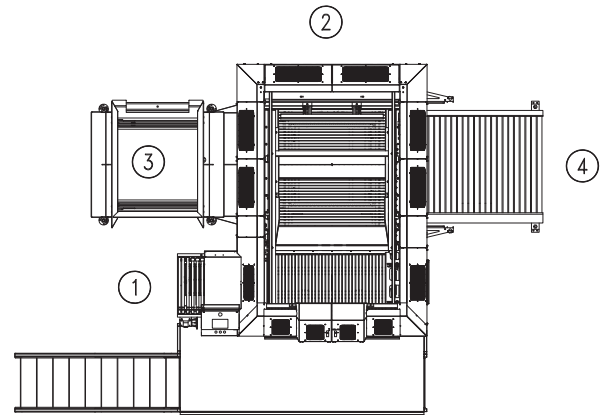
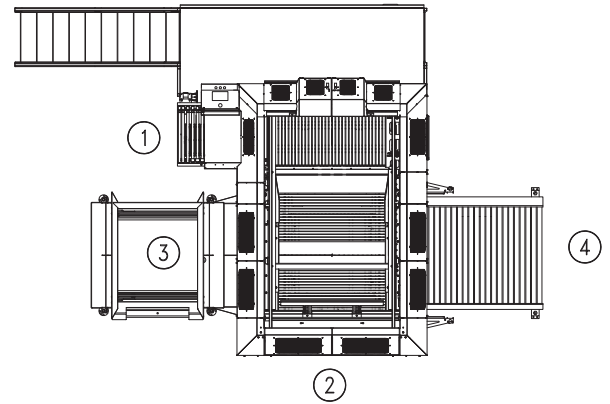
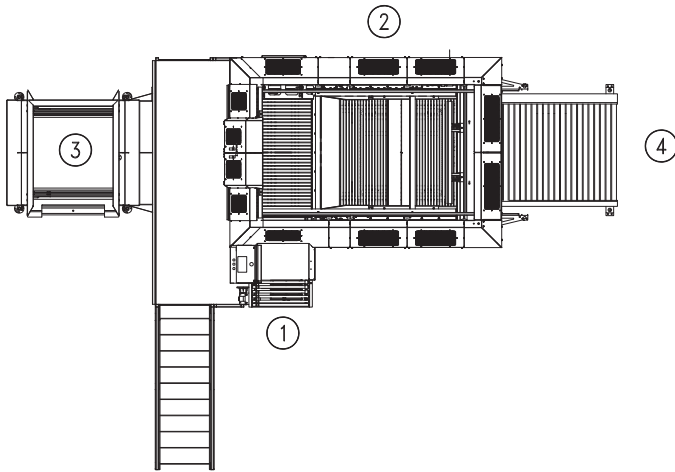
FEATURES

- Category 3 Safety Electrical System
- Comprehensive Guard Package
- Interlocked Access Doors to Load Build Area
- Full Height Light Curtains at Discharge
- Automatic Hoist Protection Pins
- Product Manager for Pattern Creation and Tuning
- Heavy Duty Sensor Mounts
- 4-Sided Pallet Stack Retention
- Stack Light / Beacon
- Smart Squeeze Technology for Misformed Layer Detection
- Fallen Case Detection
- Low Pallet Detection
- Low Sheet Detection
- Heavy Duty Construction
- 80 Pitch Hoist Chain
- Infeed Tunnel Guard
- UL Approved or CSA Certified Control Panel
- Ethernet Enabled PLC with Distributed I/O
- Online parts ordering at www.palletizing.com
- 24-Hour parts and service hotline [1.800.628.4065](tel:1.800.628.4065)

To view a video of the HL2200 in operation and for more information on Columbia's complete line of palletizers, please visit www.palletizing.com or call toll-free at [1.800.628.4065](tel:1.800.628.4065) / direct at [1.360.694.1501](tel:1.360.694.1501).

COMMON PALLETIZER LAYOUTS

- ① **Infeed**
- ② **Palletizer**
- ③ **Pallet Dispenser**
- ④ **Discharge**



OPTIONS

- Smart diagnostics with video playback
- Wireless controls interface
- Labels-out stacking
- Speed enhancement upgrades
- FDA accepted stainless steel paint
- Upstream and downstream conveyor and interfacing
- Slip / Tie / Cap sheet dispenser
- Unitizing
- Turnkey system integration
- Touchless turning
- Integrated operator platform